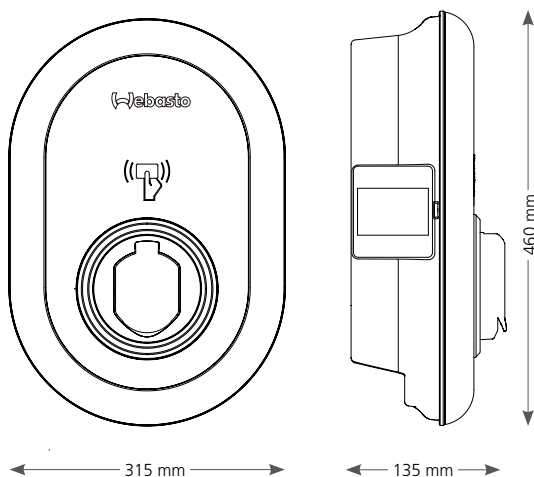


Webasto Unite MID

Incl. Webasto ChargeConnect



The Webasto Unite MID boasts the following features:

- Scalable charging capacity up to 22 kW
- Charging socket (type 2) with shutter for charging cable
- Digital management and remote control with Webasto ChargeConnect (access via portal and app)
- Always online thanks to 24/7 real-time transmission of the wallbox data to Webasto ChargeConnect
- Authentication using RFID technology or Webasto ChargeConnect App
- Interface for Energy Management System (EMS) integration via Modbus TCP*
- Integrated local dynamic load management** for up to 32 charging points
- Integrated MID-compliant meter allows billing and refund of charging processes
- Meter window for easy reading of energy meter values
- Robust, high-quality housing meeting the Webasto quality and safety standards
- Cost savings at installation due to DC residual current protection
- Secured network stability by network operator using a ripple control receiver
- User friendly configuration using an integrated configuration hotspot and Webasto Charger Setup App or configuration interface for installers

Technical specifications	
Electrical characteristics	
Nominal current (A) (configurable connected load values)	up to 32 single phase or 3-phase 10, 13, 16, 20, 25, 30, 32 A (configurable via DIP-switches) or in 1 A steps (via integrated WebUI or Webasto Charger Setup App)
Line voltage (V AC)	230/400 (Europe)
Grid frequency (Hz)	50/60
Grid forms	TT/TN/IT (single phase and 3-phase) Other supply networks e.g. Splitphase (L1+L2, without N, 230V nominal)
EMC class	Emitted interference: Class B (residential, business, commercial areas) Immunity: residential, business, commercial and industrial areas
Overvoltage category	III as per EN 60664
Protection class	I
Necessary protective equipment	Residual current circuit breaker RCD type A and miniature circuit breakers must be provided on the installation side
Integrated protective equipment	≥6 mA DC residual current protection
Integrated Energy Meter	MID conformal Class B (1%) energy meter according to EN50470-1/3 (511685A)
Welded relais detection	230 V contact to trigger an external shunt trip
Connections	
Mounting	Wall and pole mounting (permanently connected)
Cable feed	Mounted on-wall or in-wall
Connection cross-section (wire dimension)	Cross-section of the connecting cable (Cu) taking into account the local conditions and norms: – rigid (min. – max.) 2.5 – 10 mm ² ; – flexible (min. – max.) 2.5 – 10 mm ² ; – flexible (min. – max.) with wire end ferrules: 2.5 – 10 mm ²
Charging Outlet	IEC 62196 Type-2 Socket Outlet with Shutter (5111685A)
Output voltage (V AC)	230/400
Max. charging capacity (kW)	7.4 (1-phase operation) 22 (3-phase operation)
Communication & features	
Backend	Webasto ChargeConnect
Authentication	– „Scan & Charge“ via QR-Code – Webasto ChargeConnect Portal – Webasto ChargeConnect App – RFID reader (ISO 14443 A/B and ISO 15693)
Display	RGB-LED, Meter display window
Network interfaces	– LAN (RJ45) – 10/100 Mbps – WiFi 802.11a/b/g/n/ac - 2,4 GHz and 5 GHz
Communication protocols	OCPP 1.6 J (OCPP 2.0 ready), Modbus TCP (EMS*), Modbus RTU (smart meter**)
External interfaces	– Addressable via ripple control receiver through dry contacts – Integration into Energy Management Systems (EMS) via Modbus TCP* – Contact for welded relay protection – RS485 interface for external smart meters**
Local load management	– Dynamic (stand-alone) via integration of a compatible external smart meter** – Dynamic (cluster with up to 32 charging points) via integration of a compatible external smart meter** – Static (cluster with up to 32 charging points)
Mechanical data	
Dimensions (W x H x D) (mm)	315 x 460 x 135
Weight (kg)	5
IP protection class, device	IP54
Protection against mechanical impact	IK10 (Display: IK08)
Ambient conditions	
Installation site	No direct solar radiation
Operating temperature range (°C)	-35 to +55
Temperature behavior	A reduction in charging current or shutdown may occur in order to prevent the charging station overheating.
Storage temperature range (°C)	-40 to +80
Permissible relative humidity (%)	5 to 95 non-condensing
Altitude (m)	Max. 4.000 above sea level
Certification compatibility	
Standards and guidelines	– CE conformity – 2014/53/EU Radio Equipment Directive – 2011/65/EU RoHS Directive – 2012/19/EU Waste Electrical and Electronic Equipment Directive – 1907/2006 REACH Regulation

*Compatible EMS: See compatibility list on our website.
** Compatible smart meter: see compatibility list on our website.